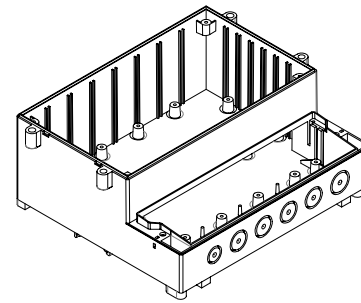
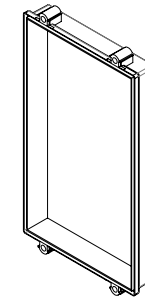


DIMENSION	CABLE GLAND
A	PG 9(CR M12)
B	PG 11(CR M16)
C	PG 13.5(CR M20)

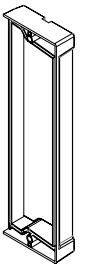
According to ISO 2768-m	
Measuring DIM=L	Tolerances
0.5CL<=3.0mm	±0.1mm
3.0CL<=6.0 mm	±0.1mm
6.0CL<=30.0 mm	±0.2mm
30.0CL<=120.0 mm	±0.3mm
120.0CL<=400.0 mm	±0.5mm
400.0CL<=1000.0 mm	±0.8mm



cabinets



lid



terminal compartment lid

ITEM	DESCRIPTION	DC005LGND			DC005CBUND		
		MATERIAL	COLOUR	UNIT	MATERIAL	COLOUR	UNIT
1	cabinets	ABS(HB)	GRAY	1	ABS(HB)	GRAY	1
2	lid	ABS(HB)	GRAY	1	PC(HB)	transparent Blue	1
3	terminal compartment lid	ABS(HB)	GRAY	1	ABS(HB)	GRAY	1

宜文實業有限公司
GAINIA INDUSTRIES LTD.

繪圖 DRA'D BY: JACKY
日期 DATE: 2012/04/13
物料 MATE.: ABS(HB)
圖名 TITLE: DC005LGND
圖號 DWG NO: DC005CBUND
圖號 DWG NO: 1-1
圖次 REVISID: A

宜文實業有限公司
GAINIA INDUSTRIES LTD.

繪圖 DRA'D BY: JACKY
日期 DATE: 2012/04/13
物料 MATE.: ABS(HB)
圖名 TITLE: DC005LGND
圖號 DWG NO: DC005CBUND
圖號 DWG NO: 1-2
圖次 REVISID: A