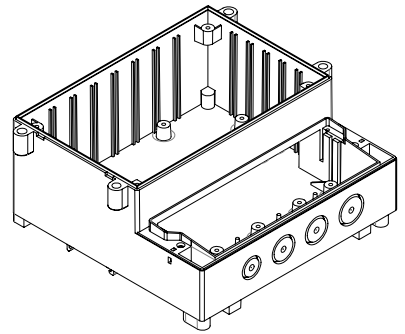


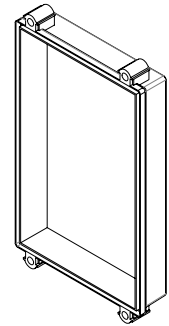
DIMENSION	CABLE GLAND
A	PG 9(QR M12)
B	PG 11(QR M16)
C	PG 13.5(QR M20)

According to ISO 2768-m

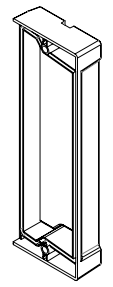
Measuring DIM=L	Tolerances
0.5L (<=3.0mm)	+0.1mm
3.0L (<=6.0 mm)	+0.1mm
6.0L (<=30.0 mm)	+0.2mm
30.0L (<=120.0 mm)	+0.3mm
120.0L (<=400.0 mm)	+0.5mm
400.0L (<=1000.0 mm)	+0.8mm



cabinets



lid



terminal compartment lid

ITEM	DESCRIPTION	DC001LGND			DC001CBUND		
		MATERIAL	COLOR	UNIT	MATERIAL	COLOR	UNIT
1	cabinets	ABS(HB)	GRAY	1	ABS(HB)	GRAY	1
2	lid	ABS(HB)	GRAY	1	PC(HB)	transparent Blue	1
3	terminal compartment lid	ABS(HB)	GRAY	1	ABS(HB)	GRAY	1

宜文實業有限公司 GAINTA INDUSTRIES LTD.	繪圖 DRA'D BY JACKY	日期 DATE 2012/04/13	材質 MATE. ABS(HB)	圖名 TITLE: DC001LGND DC001CBUND	圖號 DWG NO: 1-1	版本 REVISID: A
------------------------------------	----------------------	-----------------------	---------------------	-----------------------------------	-------------------	------------------

宜文實業有限公司 GAINTA INDUSTRIES LTD.	繪圖 DRA'D BY JACKY	日期 DATE 2012/04/13	材質 MATE. ABS(HB)	圖名 TITLE: DC001LGND DC001CBUND	圖號 DWG NO: 1-2	版本 REVISID: A
------------------------------------	----------------------	-----------------------	---------------------	-----------------------------------	-------------------	------------------