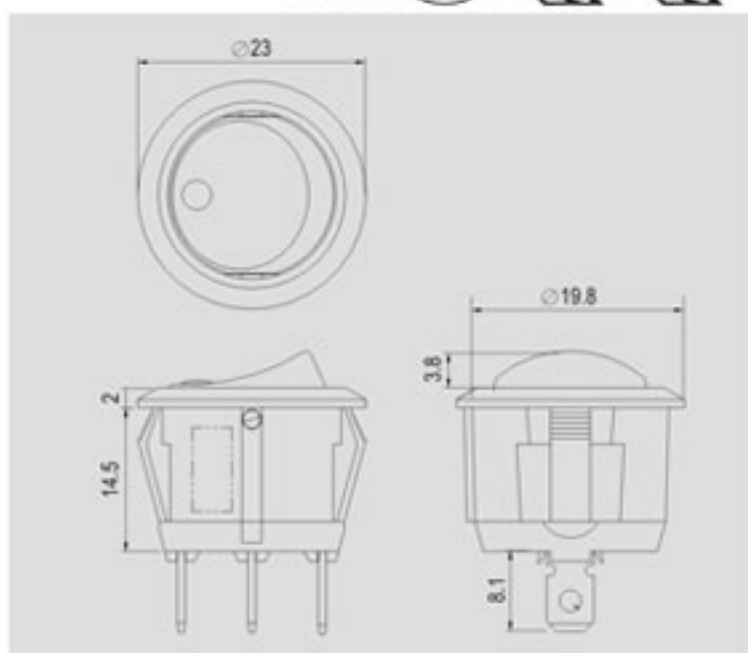
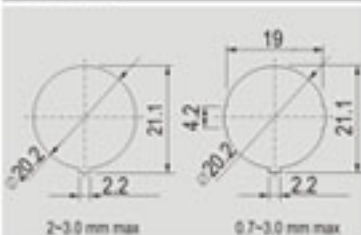


R13-112



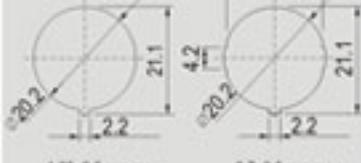
Rating
16A 125V AC 10A 250V AC
Contact resistance
50mΩ Max
Insulation resistance
DC 500V 100MΩ Min
Dielectric strength
AC 1500V 1 minute
Cut-out



2-3.0 mm max 0.7-3.0 mm max

0.7-3.0 mm max

Cut-out for X8 ROCKER



1.25-2.5 mm max 0.7-2.5 mm max

0.7-2.5 mm max

FEATURES

- * MATERIAL: Frames are nylon (UL flame: 94V-2). Terminals are silver plated brass.
- * Illuminated actuators are molded in PC, available with red, amber and green colors.
- * Snap-in mounting, easy to install switch into panel.
- * Waterproof cover is optional, except LP & BP type.
- * The dimension of frame is 14.5mm, for shorter one, please refer to page.1-51 item no. R13-208.

* R13-112B9,R13-112B9F: LED with PCB inside for AC rating.



Ordering number instruction

R13-112 - - - -

FUNCTION				TERMINAL	
Different button (按钮不同)				0 2 .187" SQ	
A	A 2	A 5	A P		
Illuminated / Different button (带灯/按钮不同)					
B	B 2	B 9	B 10	B P	
Momentary / Illuminated / Different button (弹回/带灯/按钮不同)					
B F	B 2 F	B 9 F			
Different position / Different button (动作特性不同/按钮不同)					
C	C P	D	D P		
Momentary (弹回)					
E	F	G	H	I	
Independent circuit / Different button (独立电路/按钮不同)					
L	L P	L F			
Waterproof (防水)					
A 8	B 8	B 8 F	C 8	D 8	F 8