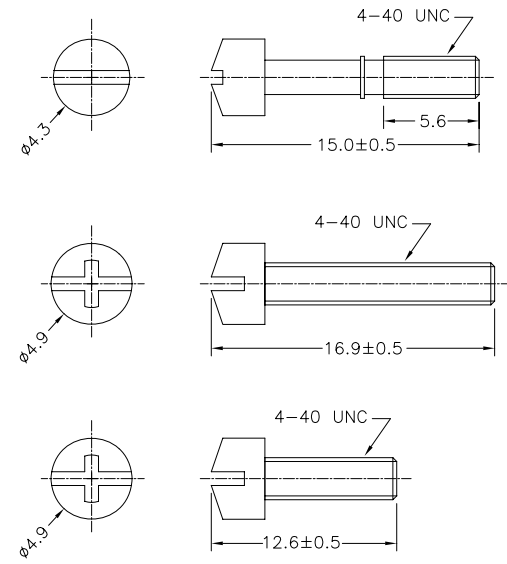
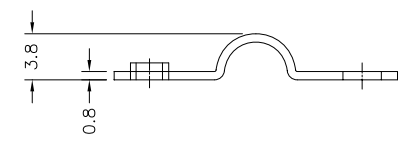
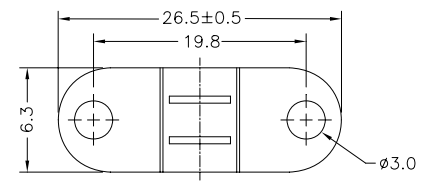
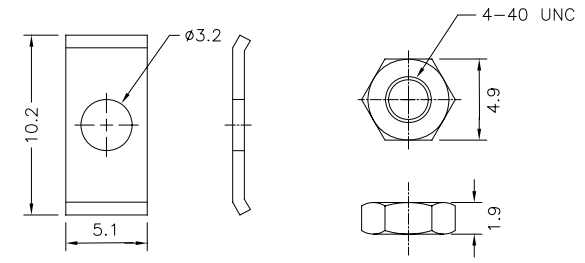
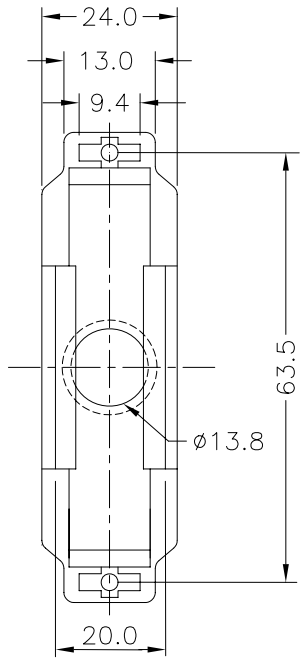
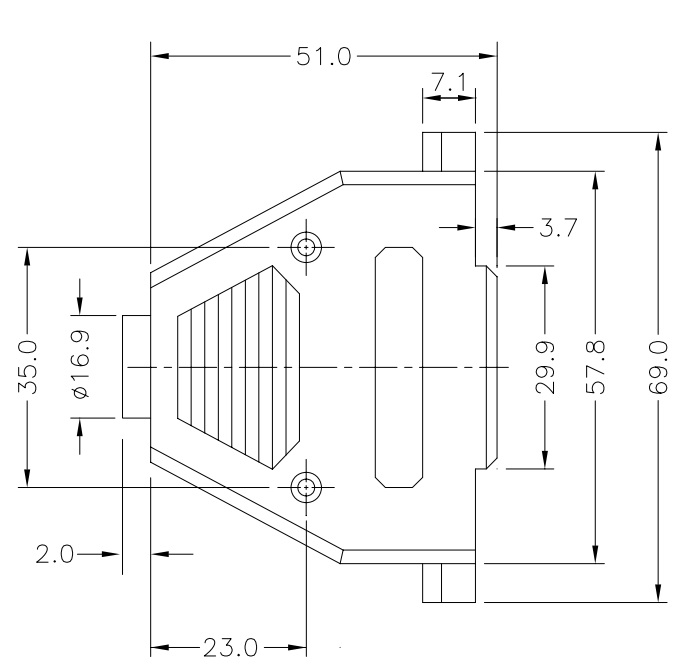


REV.	SPECIFICATION	ECN NO.	APPD.



Material:
Housing: ABS UL94HB
Screw: Metal
***RoHS Compliant**

DP- 37 Y B
Series Position Y: Grey
B: Black
C: Chrome
(plastic metallized)
B: Bulk Package
P: Individual Package

Tolerances	Drawn No.	DP00D00004	Title:		 OUPIIN ELECTRONIC(KUNSHAN) CO., LTD. P/N: DP-37YB SHEET 1/1 Ver.No. B1
x = ±0.5	Projection		DP COVER		
.x = ±0.3	Unit	mm	Scale	1:1	
.xx = ±0.2	Drawn By	Peggy 02/25'11	Plastic Hood		
			① 741		