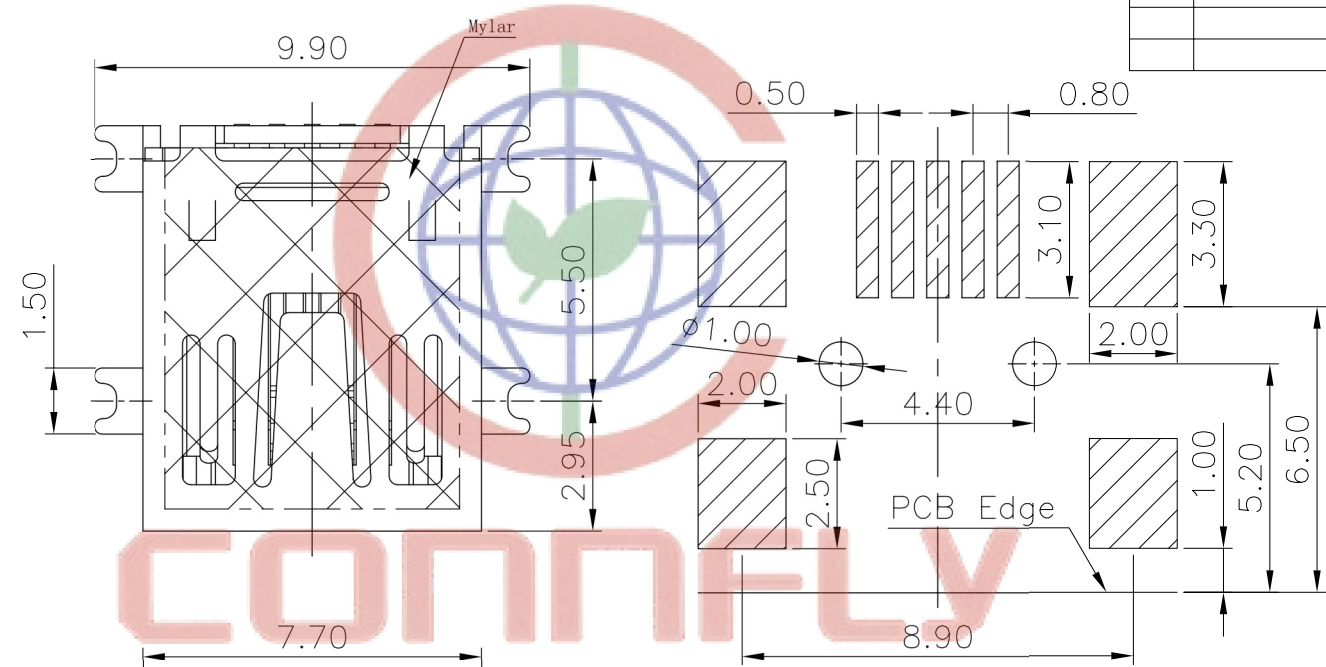
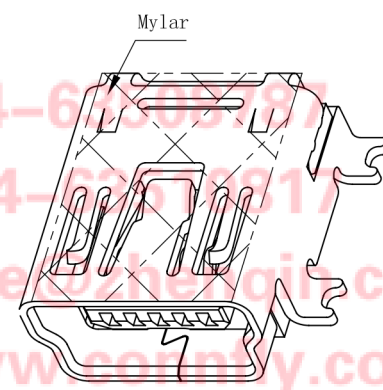
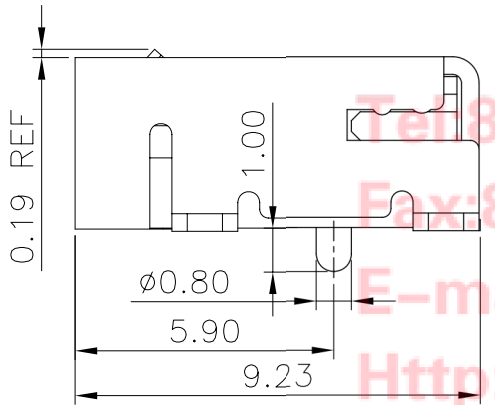
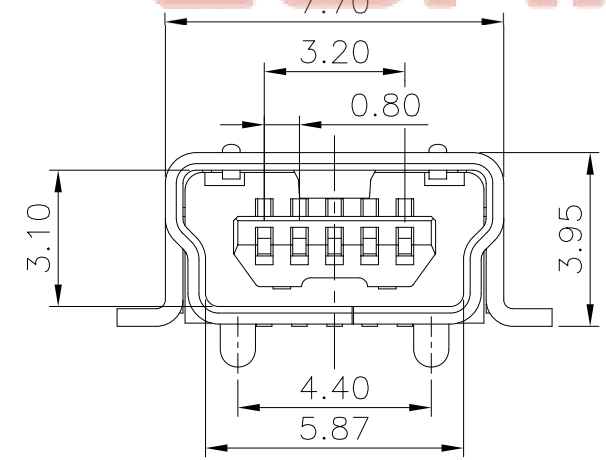


REV.	DESCRIPTION	DRAWN	CHECKED	APPROVED
A	NEW RELEASE	YCH 10/21/08'	~	



- NOTES:
- SPECIFICATIONS
 - CONTACT RESISTANCE:50mΩ Max.
 - INSULATOR RESISTANCE:100MΩ Min.
 - DIELECTRIC STRENGTH:100VAC FOR 1 Minute.
 - DURABILITY:5000
 - PRODUCT NUMBER CODE:
DS1104 - X X X X X
 - PACKING TYPE
R:TAPE ON REEL
B:TUBE
 - MYLAR SUPPORT
S:W/ MYLAR
X:W/O MYLAR
 - CONTACT PLATING
O: SELECTIVE GOLD FLASH
C: SELECTIVE 3u" GOLD
 - SHELL PLATING
N: NICKEL
6: TIN
8: FULL GOLD
 - COLOR OF HOUSING
B: BLACK

RECOMMEND PCB LAYOUT(TOLERANCE=±0.05)



GENERAL TOLERANCE		ANGLE TOLERANCE		PROJECTION	TITLE
X.	±0.60	X.	±5°	mm	MINI USB
.X	±0.38	.X	±3°	A4	SHEET SIZE
.XX	±0.25	.XX	±2°		DS1104 SERIES
DRAWING TYPE		CUSTOMER		CONNFLY CONNFLY ELECTRONIC CO. LTD	
SCALE		1:1		SHEET 1 OF 1	
DRAWING NO.		C-DS1104-XXXXX			

晨翔电子有限公司
CONNFLY CONNFLY ELECTRONIC CO. LTD

Tel:86-574-62355187
Fax:86-574-6235517
E-mail:sales@connfly.com.cn
Http://www.connfly.com