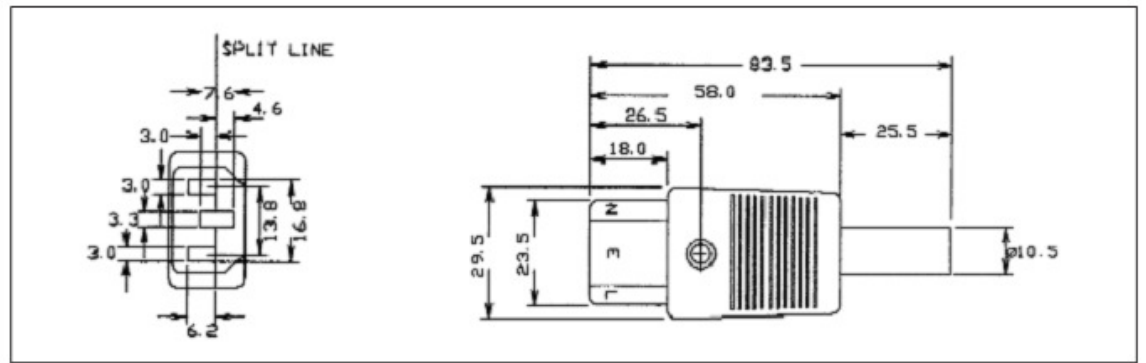




**CP22S IEC Power  
Rewireable Output  
Connector. Rated  
10A / 250VAC.**

**CP22S (CL1918)**



**CP22R IEC Power  
Rewireable Input  
Connector. Rated  
10A / 250VAC.**

**CP22R (CL1919)**

